

Description

idea Thermal CutOff (iTCO) is a fuse that uses low melting point alloys as the electrical connection point of the main circuit, with built-in heater as the control circuit, to achieve controlled fusing function. idea Thermal CutOff (iTCO) consist mainly of Flux Resin, Thermal Element, Alloy Thermal-Link, Feed Heater, Electrode, Sealant and Lead wire, sealed in plastic or ceramic housings.

idea Thermal CutOff (iTCO) is mainly used in the protection of new energy security, and secondary protection for charging and discharge circuits. idea Thermal CutOff (iTCO) mainly uses two electrodes which are connected with the thermal element of the fusing elements as electrical connections with passive temperature-sensing fusing actions. At the same time, Built-in heater with independent over-temperature protection heats the thermal element, provides sufficient heat to the fuse, cuts off the main circuit and disconnects the control circuit to achieve self-protection.

SETsafe | SETfuse idea Thermal CutOff (iTCO) TKSxxx-R Series covers Rated Current 120 A, Rated Voltage 125 VDC, Rated Functioning Temp. 150 °C, with UL, cUL, TUV Approvals and RoHS, REACH compliant.

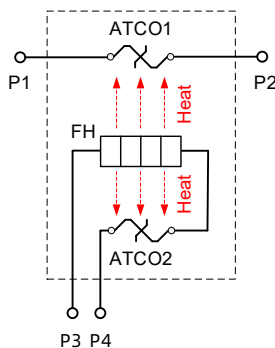
Features

- Low Impedance, Low Power Consumption
- MC Controlled Fusing Time ≤ 60 s
- Non-Resettable
- Active Control
- Over Temp. Protection
- Self-Control Protection
- RoHS and REACH Compliant

Application

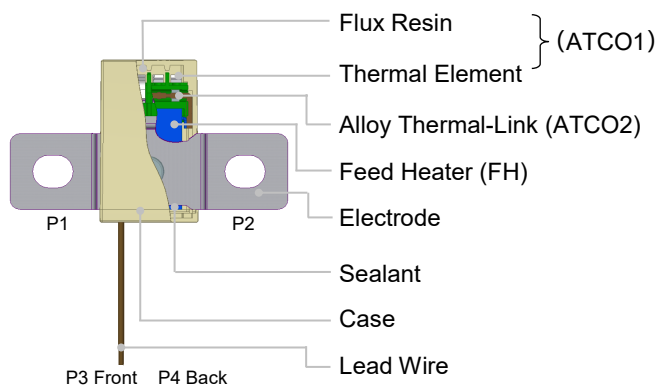
- Electric Motorcycle, Electric Golf Cart, Electric Yacht
- Home Energy Storage
- Base Station Power Supply, Battery

Product Schematic



- P1 ~ P2 MC
- P3 ~ P4 CC

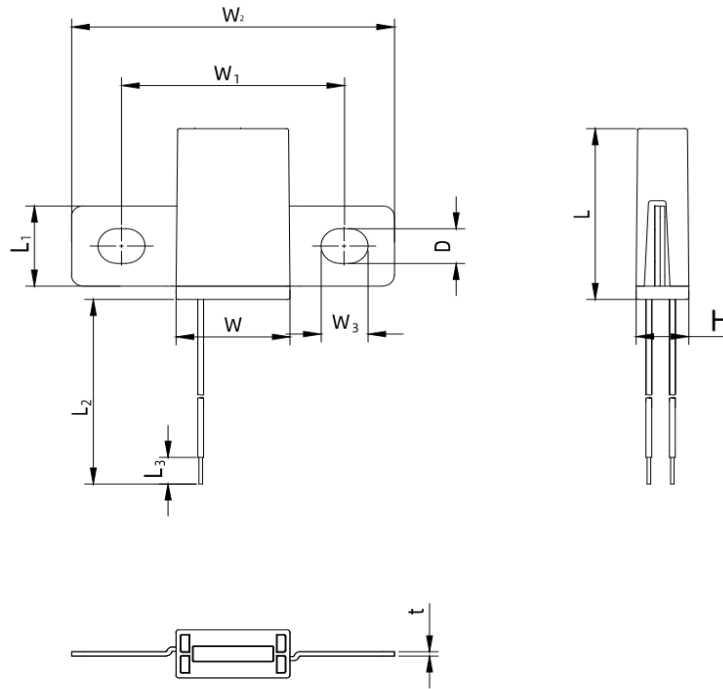
Structure Diagrams






- P1 ~ P4 Port

Dimensions (Unit: mm)

| | |
|----------------|------------|
| L | 32.0 ± 0.5 |
| L ₁ | 15.0 ± 0.1 |
| L ₂ | 70.0 ± 5.0 |
| L ₃ | 5.0 ± 1.0 |
| W | 19.4 ± 0.2 |
| W ₁ | 38.0 ± 0.5 |
| W ₂ | 55.0 ± 1.0 |
| W ₃ | 8.0 ± 0.1 |
| t | 0.8 ± 0.1 |
| D | 6.5 ± 0.1 |
| H | 9.0 ± 0.2 |

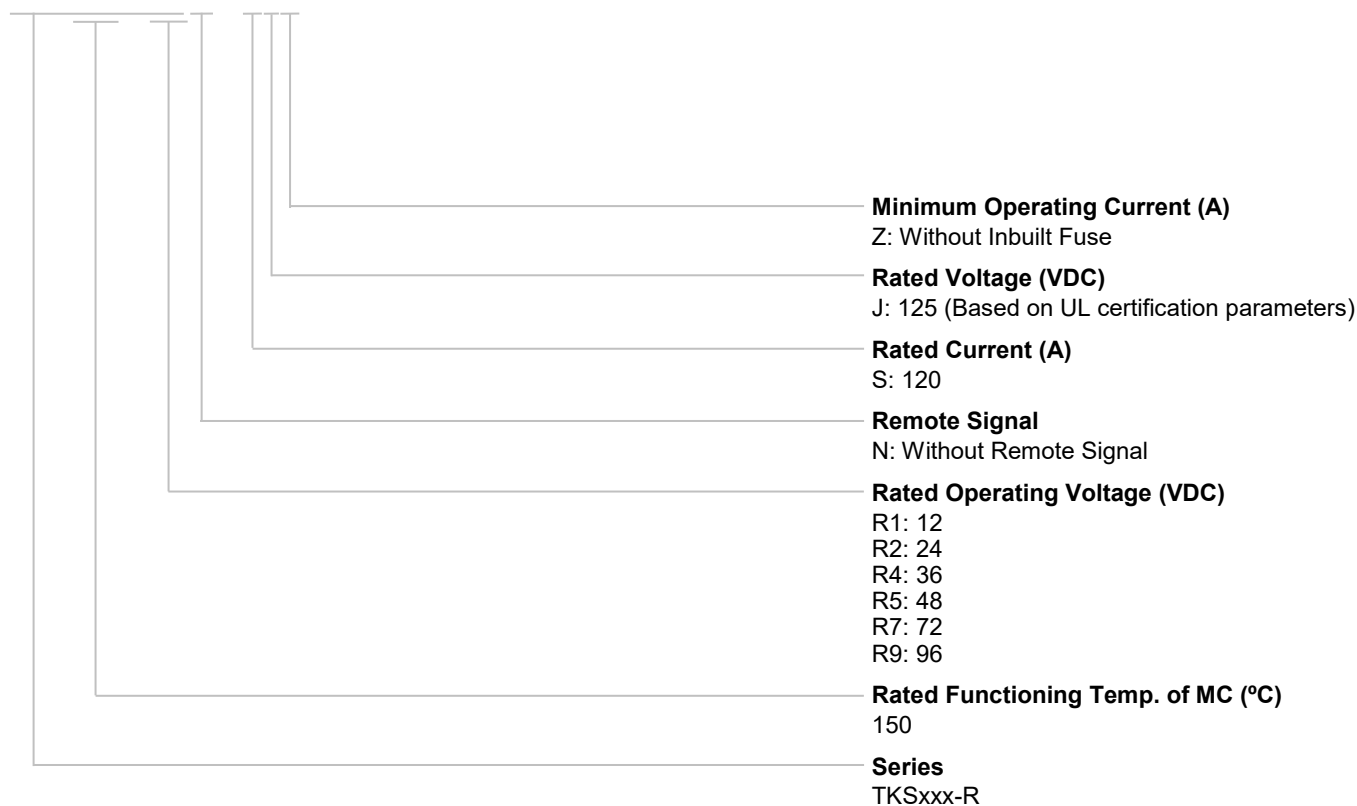


Agency Information

| Agency Symbol | Standards | The File No. and certification No. obtained by SETsafe SETfuse |
|---|--------------------------|--|
|  | UL60691 | E214712 |
|  | CAN-CSA-E60691 | E214712 |
|  | EN 60127-1 EN 60127-7 | 1111270874 |

Part Number System

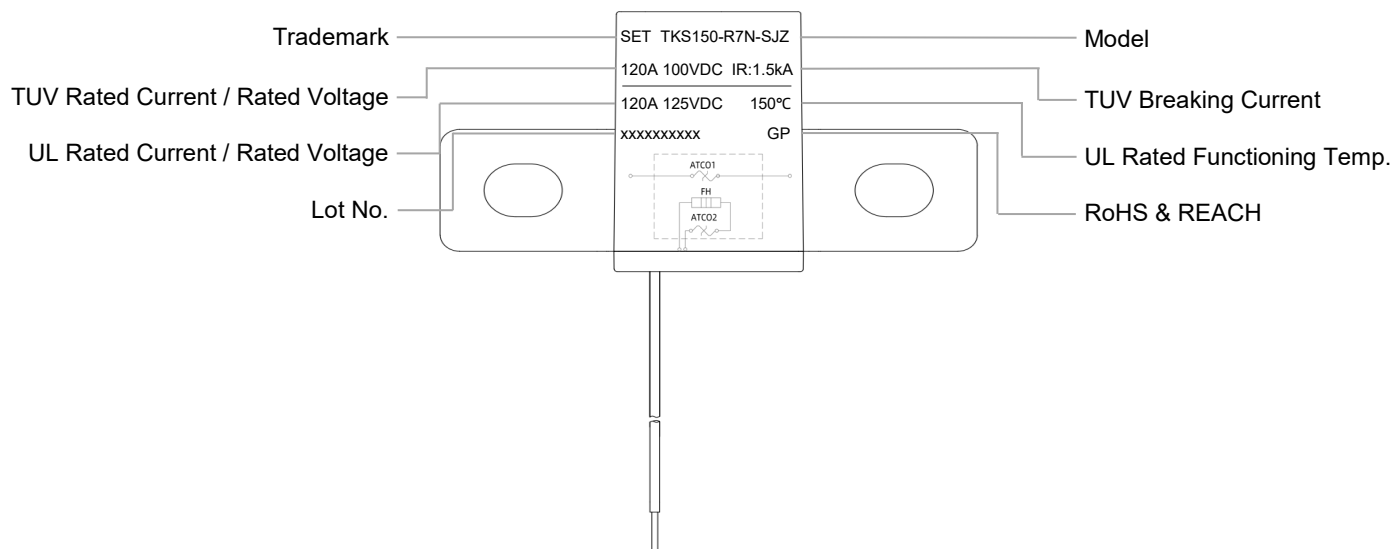
TKS150 - R7N - SJZ



Reminder:

Part numbering system in the datasheet is only for selecting correct parameter and product features. Before placing order, please contact us for specifications and use the part number and product code in the specifications to place order to ensure the part is correct. Product code is the unique identification.

Marking



Specifications

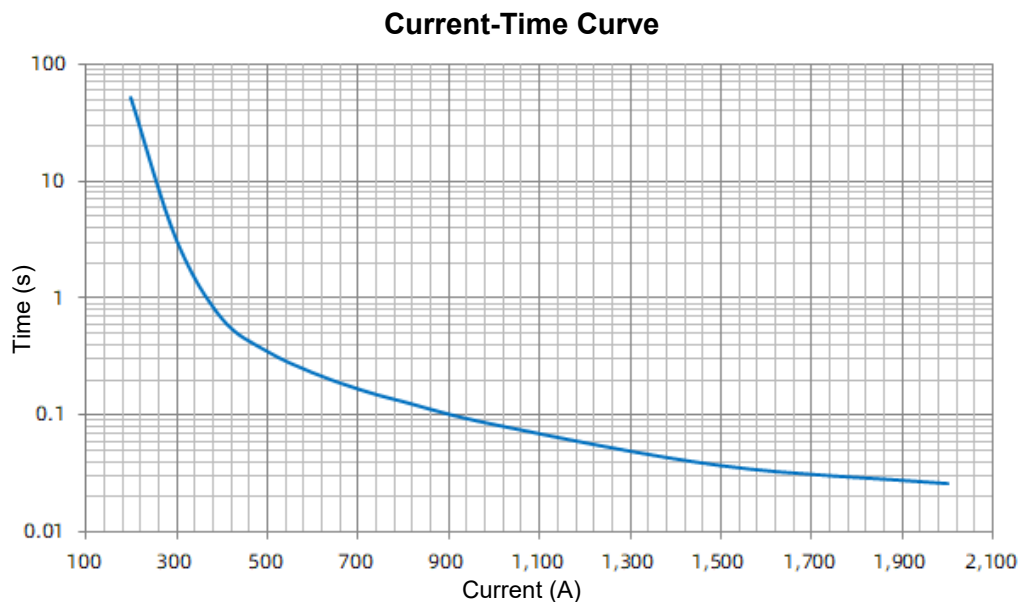
| Rated Functioning Temp. (T _f) °C | Model | | Main Circuit Specifications | | | | | | Control Circuit Specifications | | Fusing Time | | Agency Information | | | RoHS REACH |
|--|----------------|-----------------------|-----------------------------|----------------|--------------|----------------|----------------|-------------------|--------------------------------|----------------------------|---------------------------|---------------------------|--------------------|-----|-----|------------|
| | | | I _r | U _r | Fusing Temp. | T _h | T _m | Breaking Capacity | Resistance | Range of Operating Voltage | t _{mc} (P1 ~ P2) | t _{cc} (P3 ~ P4) | UL | cUL | TUV | |
| | | | (A) | DC (V) | (°C) | (°C) | (°C) | kA | (Ω) | DC(V) | (s) | (s) | UL | cUL | TUV | |
| 12 | TKS150-R1N-SJZ | UL/cUL Specifications | 120 | 125 | 146 ± 3 | 85 | 180 | N/A | 0.8 ± 0.1 | 10 ~ 15 | ≤ 60 | t _{mc} + (0~30) | ● | ● | ● | ● |
| | | TUV Specifications | 120 | 100 | N/A | N/A | N/A | 1.5 | | | | | | | | |
| 24 | TKS150-R2N-SJZ | UL/cUL Specifications | 120 | 125 | 146 ± 3 | 85 | 180 | N/A | 2.7 ± 0.5 | 20 ~ 30 | ≤ 60 | t _{mc} + (0~30) | ● | ● | ● | ● |
| | | TUV Specifications | 120 | 100 | N/A | N/A | N/A | 1.5 | | | | | | | | |
| 36 | TKS150-R4N-SJZ | UL/cUL Specifications | 120 | 125 | 146 ± 3 | 85 | 180 | N/A | 7.0 ± 2.0 | 30 ~ 40 | ≤ 60 | t _{mc} + (0~30) | ● | ● | ● | ● |
| | | TUV Specifications | 120 | 100 | N/A | N/A | N/A | 1.5 | | | | | | | | |
| 48 | TKS150-R5N-SJZ | UL/cUL Specifications | 120 | 125 | 146 ± 3 | 85 | 180 | N/A | 12.0 ± 2.0 | 40 ~ 60 | ≤ 60 | t _{mc} + (0~30) | ● | ● | ● | ● |
| | | TUV Specifications | 120 | 100 | N/A | N/A | N/A | 1.5 | | | | | | | | |
| 72 | TKS150-R7N-SJZ | UL/cUL Specifications | 120 | 125 | 146 ± 3 | 85 | 180 | N/A | 27.0 ± 5.0 | 60 ~ 90 | ≤ 60 | t _{mc} + (0~30) | ● | ● | ● | ● |
| | | TUV Specifications | 120 | 100 | N/A | N/A | N/A | 1.5 | | | | | | | | |
| 96 | TKS150-R9N-SJZ | UL/cUL Specifications | 120 | 125 | 146 ± 3 | 85 | 180 | N/A | 50.0 ± 5.0 | 80 ~ 118 | ≤ 60 | t _{mc} + (0~30) | ● | ● | ● | ● |
| | | TUV Specifications | 120 | 100 | N/A | N/A | N/A | 1.5 | | | | | | | | |

Note:

1. "●" Means certificated, "○" Means non-certificated.
2. RoHS and REACH Compliant.

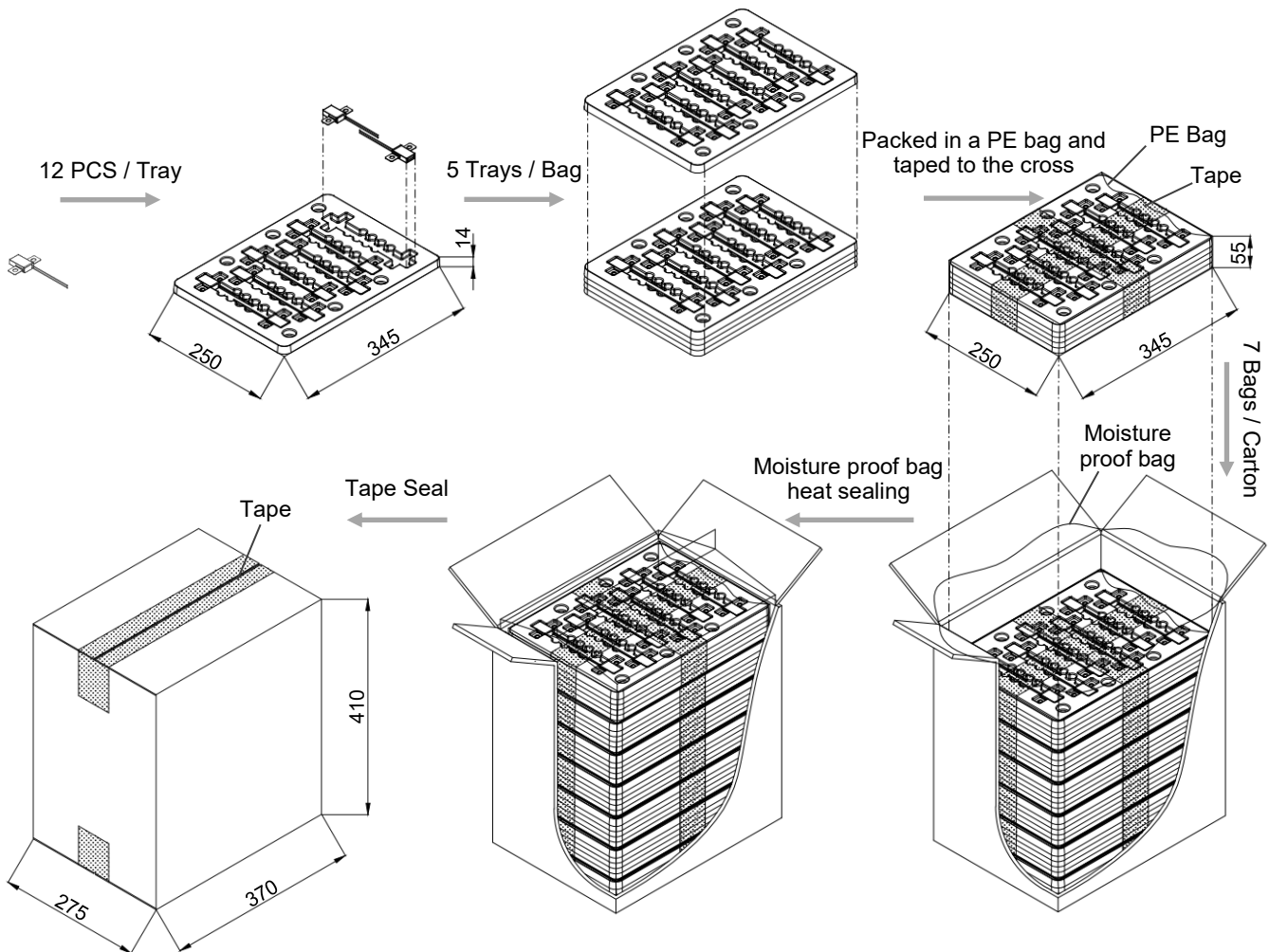
Current-Time Curve (For reference only)

The Current-Time Curve shows functioning time at Multi-times rated current in the condition of the room Temp. 25 °C.



Packaging Information

| Item | Tray | PE Bag | Carton |
|-------------------|----------------|----------------|-----------------|
| Dimensions (mm) | 345 × 250 × 14 | 345 × 250 × 55 | 370 × 275 × 410 |
| Quantity (PCS) | 12 | 60 | 420 |
| Gross Weight (kg) | | | 11.3 ± 10% |



Glossary

| Item | Description |
|---------------------|--|
| iTCO | idea Thermal CutOff Protector that can fuse itself after receiving control signal. |
| FH | Feed Heater Electric appliances that use electric energy to achieve heating effect. |
| MC | Main Circuit All conductive components used in switching devices for closing or disconnecting circuits in a circuit. |
| CC | Control Circuit In addition to the MC, all conductive parts of the switching apparatus used in the access circuit as the closing operation and / or opening operation of the switching apparatus. |
| I_r | Rated Current The current used to classify an idea Thermal CutOff (iTCO) , which is the Maximum current that idea Thermal CutOff (iTCO) allows to carry and is able to cut off the circuit safely. |
| U_r | Rated Voltage The voltage used to classify an idea Thermal CutOff (iTCO) , which is the Maximum voltage that idea Thermal CutOff (iTCO) allows to carry and is able to cut off the circuit safely. |
| T_f | Rated Functioning Temp. The temperature of the Thermal-Link which causes it to change the state of conductivity with a detection current up to 10 mA as the only load. Tolerance: T_f (0 / -10) °C (GB 9816, EN 60691, K60691). Tolerance: $T_f \pm 7$ °C (J60691). |
| Fusing Temp. | Fusing Temp. The temp. of the idea Thermal CutOff (iTCO) which causes it to change its state of conductivity is measured with silicone oil bath in which the temp. is increased at the rate of (0.5 to 1) °C /minutes, with a detection current less than 10 mA as the only load. |
| T_h | Holding Temp. The Maximum temp. at which idea Thermal CutOff (iTCO) will not change its state of conductivity when conducting rated current for 168 h. |
| T_m | Maximum Temp. Limit The temp. of the idea Thermal CutOff (iTCO) stated by the manufacturer, up to which the mechanical and electrical properties of the idea Thermal CutOff (iTCO) having changed its state of conductivity, will not be impaired for a given time. |



ATTENTION

Usage

1. When atmosphere press is from 80 kPa to 106 kPa, the related altitude shall be from -500 m to 2000 m.
2. Operating voltage shall be less than rated voltage of idea Thermal CutOff (iTCO), operating current shall be less than rated current of idea Thermal CutOff (iTCO).
3. Do not touch the idea Thermal CutOff (iTCO) body or electrode lead directly when power is on, to avoid burn or electric shock.

Electrical Connections

Mechanical Connection MC

1. The product surface must not be damaged.
2. If adding terminals to electrode leads, make sure the electrode without grease or other foreign matters, and use the same cross-section connection terminal, otherwise the electrode may heat abnormally.
3. If locking with screw, to prevent loosening, please add gasket and use proper screw when installing the product. Ensure that the screw tightening torque meets the requirements.

Soldering CC

1. Soldering should be carried out under the soldering conditions listed in table - 1.
2. Feed Heater and remote signal CC, improper soldering operation (too high soldering temperature, too long soldering time, too short lead wire etc.) may cause CC to open in advance.
3. When soldering conditions are more severe than those listed in table - 1, a heat sink fixture should be used between solder point and idea Thermal CutOff (iTCO) body.

Table - 1 Hand - Soldering Time (s)

| The Max. Allowable Soldering Time for Different Lead Length (s) | | | | | | Max. Soldering Temp. |
|---|-------------------------------|-------------|-------------------------------|-------------|-------------------------------|----------------------|
| Lead Length | Max. Allowable Soldering Time | Lead Length | Max. Allowable Soldering Time | Lead Length | Max. Allowable Soldering Time | |
| (mm) | (s) | (mm) | (s) | (mm) | (s) | (°C) |
| ≤ 10 | 3 | 10 ~ 20 | 5 | 20 ~ 30 | 5 | 400 |

Test Methods

Cold Resistance Test

1. If product TCR is not less than 350 E (-6) / °C and the test ambient Temperature is during 15 °C to 35 °C, the measured resistance value shall be corrected as the relative resistance value under 25 °C according to TCR formula.
2. Resistance measurement (Four - point probe).

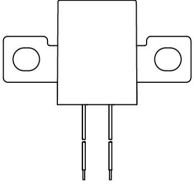
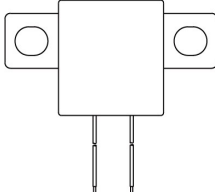
Replacement

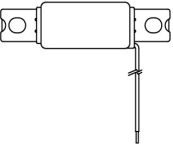
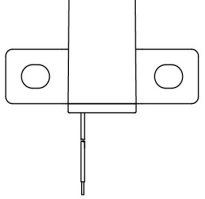
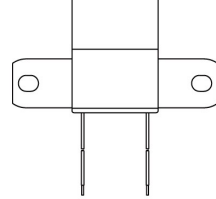
idea Thermal CutOff (iTCO) is the non-resettable product, for safety sake, please use the same type of idea Thermal CutOff (iTCO) for replacement.

Storage

And idea Thermal CutOff (iTCO) must be kept in a place with no sunshine or no pollution, with temp. (10 to 30) °C and humidity within (30 to 70) %, To avoid influencing the solder-ability of the leads and influencing contact resistance, please use them up within 1 year after receiving the goods.

idea Thermal CutOff (iTCO) Features & Model List Overview

| Rated Functioning Temp. T_f (°C) | Model | | | | | | Page |
|------------------------------------|---|---------------|---|---------------|---------------|---------------|------|
| | TPH150-RxN-JPZ | JS150-RxN-LKZ | JS150-RxN-MKZ | JS150-RxN-PKZ | JS150-RxN-QHZ | JS150-RxN-RHZ | |
| 150 | | | | | | | |
| 145 | ○ | ○ | ○ | ○ | ○ | ○ | |
| 136 | ○ | ○ | ○ | ○ | ○ | ○ | |
| I_r (A) Rated Current | 20 | 30 | 40 | 60 | 80 | 100 | |
| U_r (VDC) Rated Voltage | 400 | 150 | | 100 | | | |
| Product Structure |  | |  | | | | |
| | Flat electrode | | Flat electrode | | | | |

| Rated Functioning Temp. T_f (°C) | Model | | | | | | Page |
|------------------------------------|---|--|----------------|---|----------------|-----|------|
| | TRR150-RxN-RRZ | TKS150-RxN-SJZ | TKT150-RxN-TJZ | THU145-RxN-UGZ | THU145-RxN-WGZ | | |
| 150 | | | | ○ | ○ | | |
| 145 | ○ | ○ | ○ | | | | |
| 136 | ○ | ○ | ○ | ○ | ○ | | |
| I_r (A) Rated Current | 100 | 120 | 150 | 200 | 270 | 270 | |
| U_r (VDC) Rated Voltage | 500 | 125 | | 80 | | | |
| Product Structure |  |  | |  | | | |
| | Flat electrode | Flat electrode | | Flat electrode | | | |